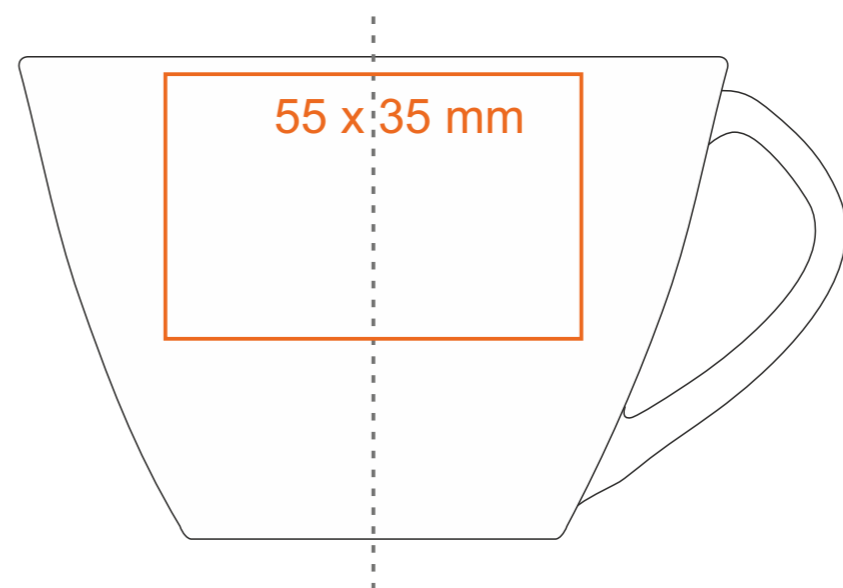
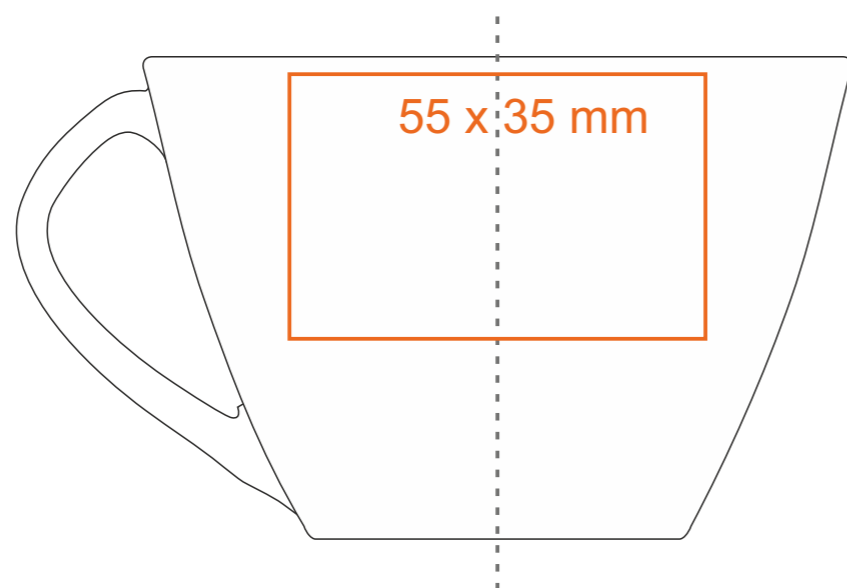
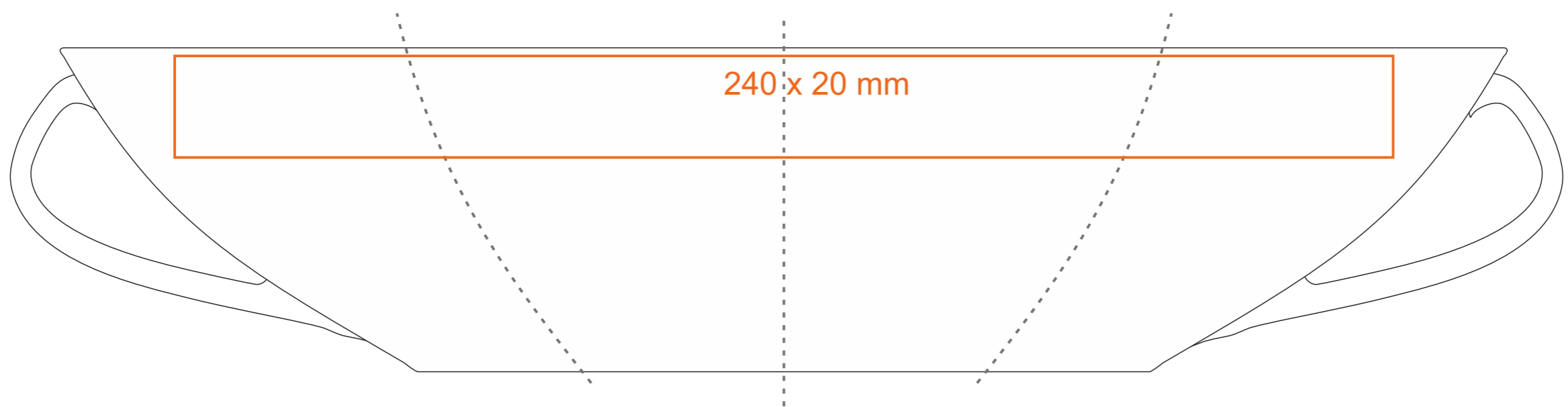


C_239 Luna Set

180 ml / h: 64 mm / Ø 95 mm



Imprint on the handle
 Imprint on the inside
 Imprint on the bottom inside
 Imprint on the bottom outside

- 60 x 8 mm
- 50 x 10 mm
- Ø 40 mm
- Ø 30 mm

*In the case of projects for transfer print running outside of the standard print area, please contact our sales department.

[How to prepare print material](#)



meaning

- Transfer Print
- Sensitive Touch